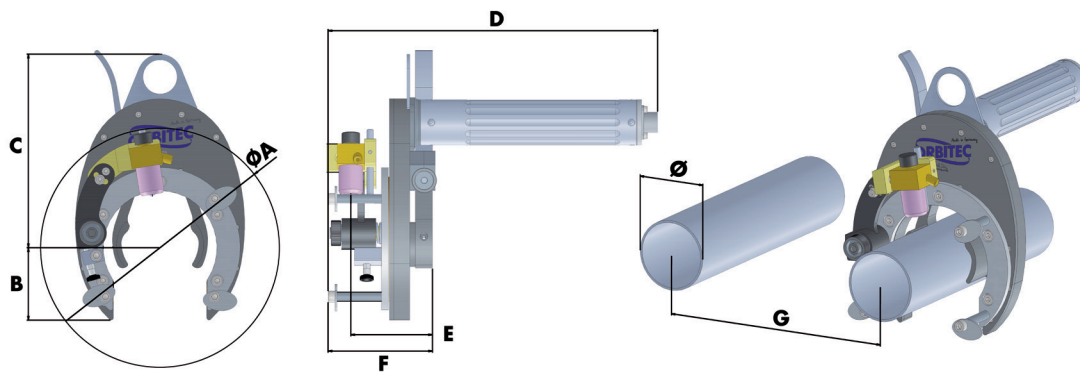


OSW Open-frame Orbital Weld Heads

Dimensions chart



$$G=(\varnothing+A\varnothing)/2$$

	OSW 40		OSW 80		OSW 115	
	mm	inch	mm	inch	mm	inch
A	120	4.724	210	8.268	243	9.567
B	40	1.575	64	2.52	90	3.543
C	145	5.709	171	6.732	210	8.268
D	310	12.205	290	11.417	290	11.417
E	81	3.189	69	2.717	69	2.717
F	91	3.583	91	3.583	91	3.583

	OSW 170		OSW 275	
	mm	inch	mm	inch
A	310	12.205	465	18.307
B	134	5.276	180	7.086
C	266	10.472	410	16.141
D	290	11.417	310	12.204
E	69	2.717	105	4.133
F	91	3.583	125	4.921